

## The Fabric Goldfish Mask (Size S/M and L) for The Free Mask Project of Vancouver

Courtesy of Barbara Roden, Carol Choo, Christina Sawrenko and Dianne Wilton-Saad

### Materials Required

Cut two pieces for outer mask and two for lining. In this case orange is the lining. Cut a piece 3.75" by 2.25" for nose sleeve

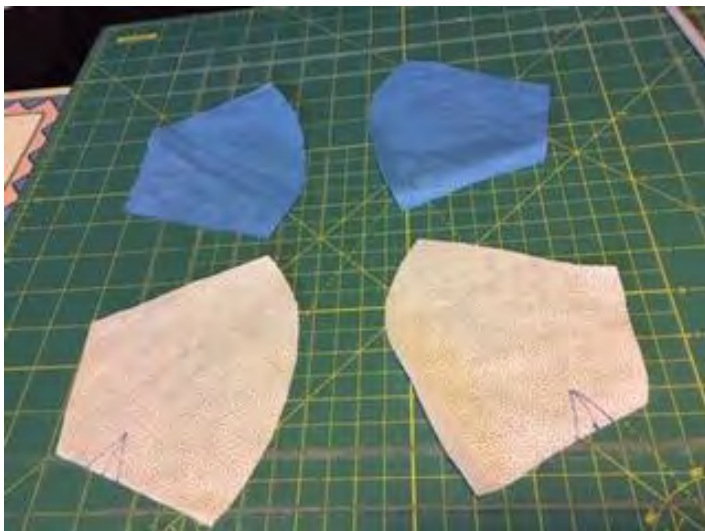


Cut 2" by 52 inch (for ties). – You might need to join fabric. Cut on straight grain.

Cut 3-3/4" long by 2-1/8" wide for nose wire sleeve (or pocket). This can be sewn on the outside or inside layer. If sewing on the outside use the same fabric as the outside of the mask. Does not matter if sewn on the inside.

### Filter

With both halyard sheets together, cut 2 pieces of blue and white as seen below



## Mask Body

Will have a sleeve or pocket for nose wire and an opening at the bottom to allow for filter insertion

### Directions

- 1) With right sides together sew  $\frac{1}{4}$ " seam from nose to chin.



- 2) Along curve from nose to chin, snip within seam allowance at 1.5" intervals.



- 3) Press open seams and top stitch.



- 4) Repeat for lining.

- 5) Pin & Sew darts for both outside and lining.



- 6) Trim dart seam to  $\frac{1}{4}$  inch and press open. Sew a line  $\frac{3}{8}$ " from the bottom for both outside and lining. This will assist with folding over and neatening in next step.



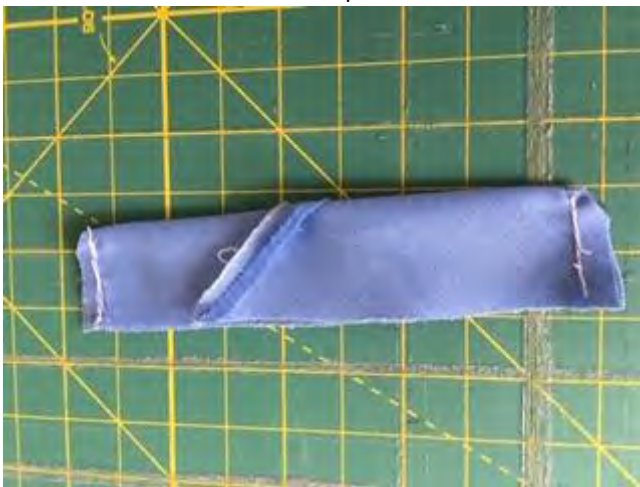
- 7) Along bottom edges of both outer mask and lining pieces, cut "V" shapes within  $\frac{3}{8}$ " stitching line.



- 8) Using the 3/8" stitching line as your guide along the bottom edges of both outer mask and lining, fold over 3/8" to the wrong sides and zigzag or decorative stitch entire bottom edge (fish in the sample below!)



- 9) Fold nose sleeve in half (right side facing together) along the long side. (ignore the seam as I had to join). Sew both ends as shown and clip corners.

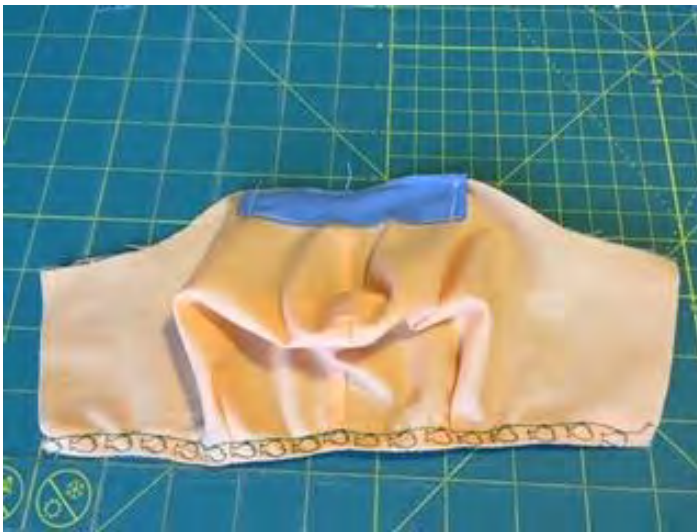


- 10) Turn and top stitch both ends





- 11) Match centre of nose sleeve to centre top of mask, raw edges even, and stitch  $\frac{1}{4}$ " from the raw edge. Stitch other long side of nose piece to mask, close to the fold, leaving narrow ends open to insert metal piece later. Please note: Picture shows filter sewn on lining BUT **please sew it on outside layer**



- 12) With Right sides together, sew  $\frac{1}{4}$  seam along all 3 sides EXCEPT the bottom



- 13) Clip within the seam allowance along the top of the mask every 1.5". Turn the mask right side out.



- 14) At the bottom of the mask, mark 3/4" from each dart, toward the ear side. Turn mask over. Mark 3/4 inch from each dart towards the ear side.
- 15) Mark 3/4" from each end, from the top of the mask to the bottom to indicate the fold line for the tie channel.
- 16) Top stitch from each bottom end to the 3/4" mark made in step 14. Leave the middle section open to insert a filter. Top stitch the top



- 17) Fold ends over 3/4" to the inside of the mask (as marked in step 15) and stitch as close to the edge as possible to create a channel for the tie



## Tie

Please use the halyard material for ties.

- 1) Cut a strip 2" x 26" wide through a double layer of Halyard, separate layers, join together at narrow ends to create one long 2" strip for the tie. If you cut 2 of these double layer strips you can make one entirely blue tie and one entirely white one.



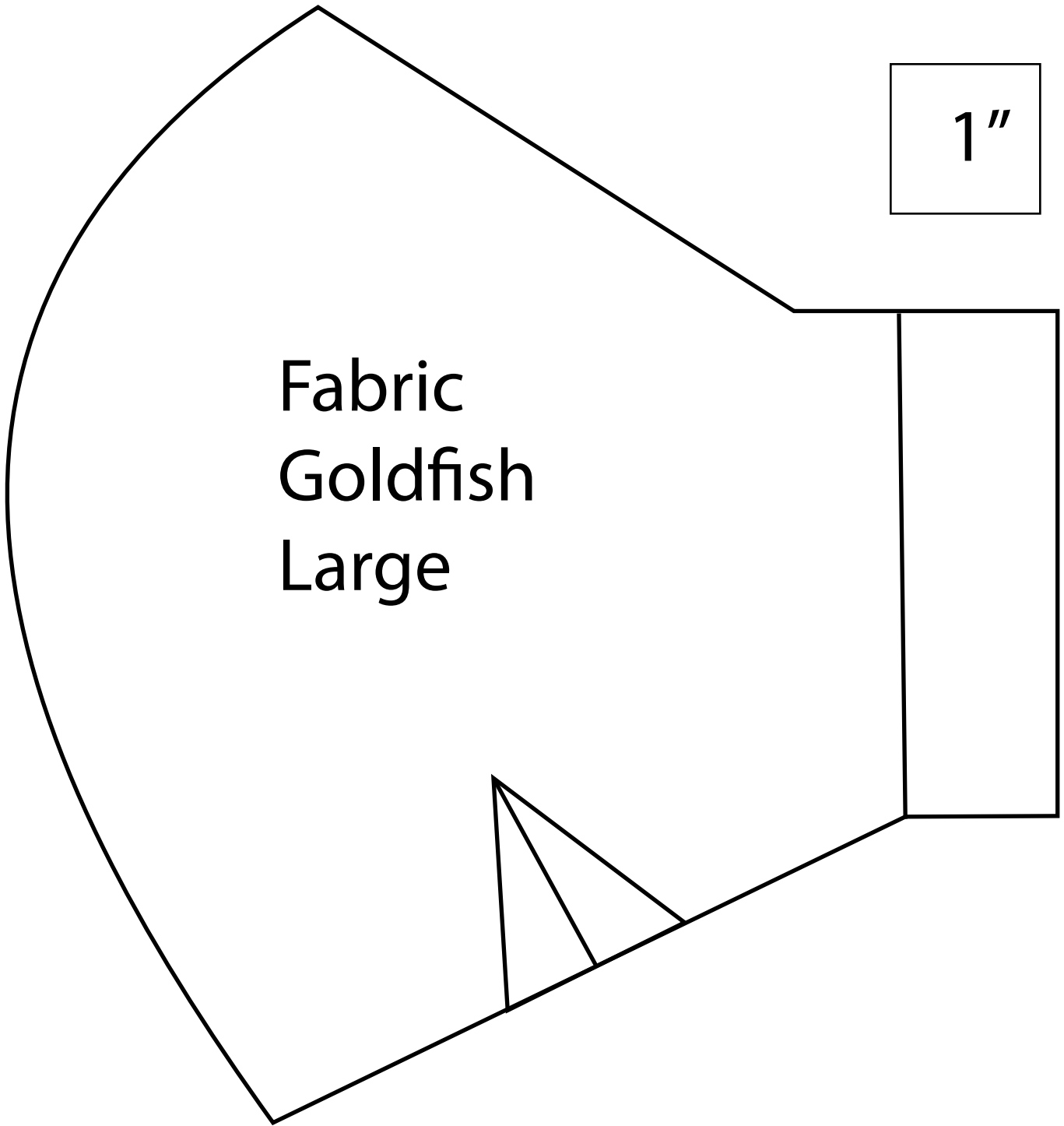
†

7

Completed!

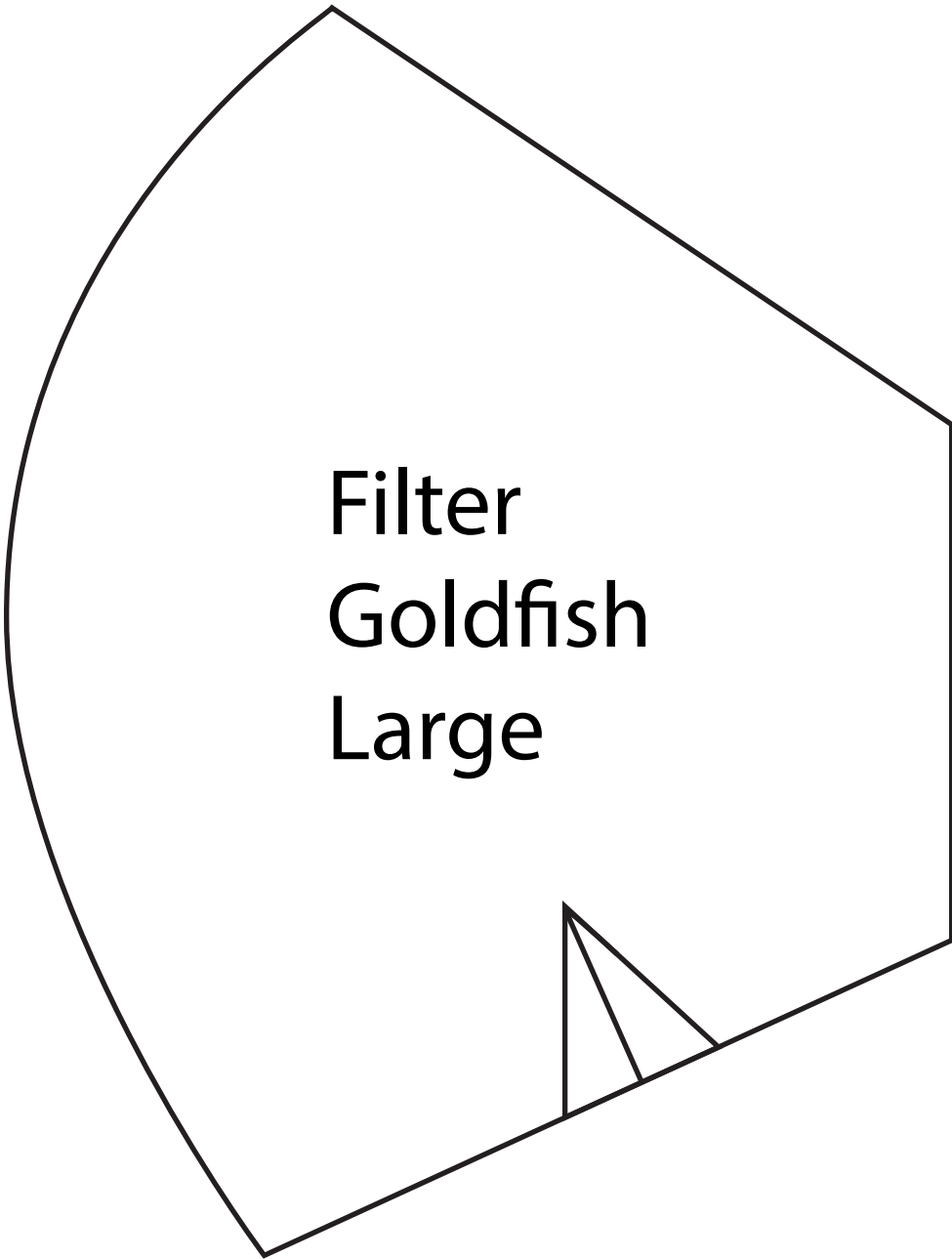
**The mask is done!**

The mask Information is provided with permission for the recipient to freely use, copy and modify without restriction, subject to an obligation on the recipient to recognize Barbara Roden and The Free Mask Project of Vancouver as the source of the information and design depicted in this material. The mask Information is experimental in nature and the safety or efficacy for use in humans has not been proven. The design, and masks built in accordance with the design, have not been approved by Health Canada. **DISCLAIMER: THE MASK INFORMATION IS PROVIDED "AS-IS, WHERE-IS," WITHOUT REPRESENTATIONS, CONDITIONS OR WARRANTIES OF ANY KIND, WHETHER EXPRESS OR IMPLIED, INCLUDING, BUT NOT LIMITED TO, WARRANTIES OF MERCHANTABILITY OR FITNESS FOR A PARTICULAR PURPOSE, OR THAT THE USE OF THE MASK INFORMATION WILL NOT INFRINGE ANY PATENT, COPYRIGHT, TRADEMARK OR OTHER PROPRIETARY RIGHTS. THE RECIPIENT IS SOLELY RESPONSIBLE FOR DETERMINING THE APPROPRIATENESS OF USING, REPLICATING OR REDISTRIBUTING THE MASK INFORMATION AND DESIGN. IN THIS REGARD, THE RECIPIENT ASSUMES ALL LIABILITY FOR DAMAGES, OF WHATEVER NATURE AND DESCRIPTION, WHETHER IN CONTRACT OR IN TORT, WHICH MAY ARISE FROM THE USE OF THE MASK INFORMATION AND DESIGN. THE FREE MASK PROJECT OF VANCOUVER, INCLUDING ITS EMPLOYEES AND AGENTS, WILL NOT BE LIABLE TO THE RECIPIENT OR TO ANY THIRD PARTY FOR ANY LOSS, CLAIM OR DEMAND MADE BY THE RECIPIENT, OR ANY LOSS, CLAIM, DEMAND OR JUDGMENT AGAINST THE RECIPIENT BY ANY OTHER PARTY, DUE TO OR ARISING FROM THE USE OF THE MASK INFORMATION AND DESIGN BY THE RECIPIENT.**



1"





1"